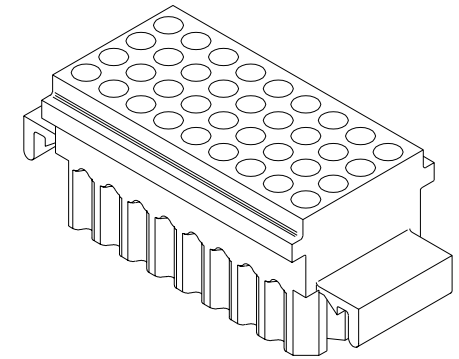
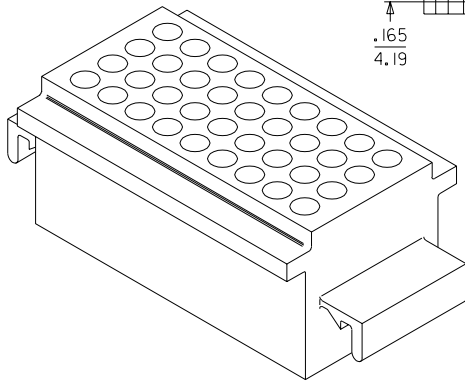
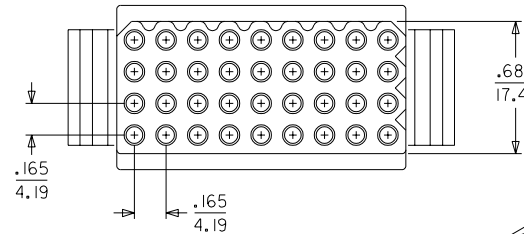
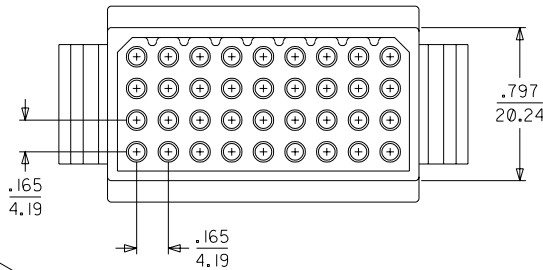
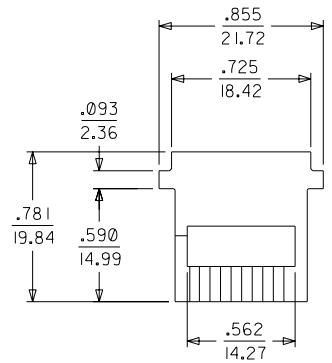
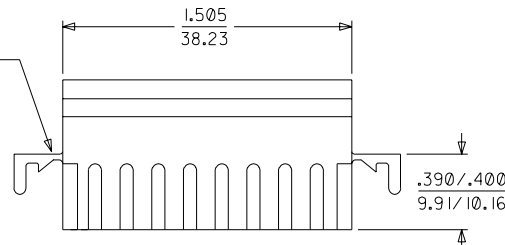


MOUNTING EARS OPTIONAL
SEE SHEET 2 FOR DETAIL.



PLUG

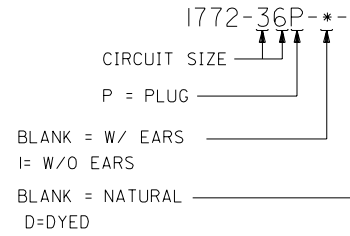
RECEPTACLE

CORRECT LEGENDS ADD DATE/DRAWING NO. EC NO: LCP2004-0895 DRWN: ELHAG 11/10/03 CHK: ELHAG 11/10/03 APPR: FSMITH 11/11/03	QUALITY SYMBOLS MAJOR $\blacktriangledown = 0$ CRITICAL $\nabla = 0$	GENERAL TOLERANCES: (UNLESS SPECIFIED)		SCALE 2 : 1	DESIGN UNITS <input type="checkbox"/> mm <input checked="" type="checkbox"/> INCH	DIMENSIONS: <input type="checkbox"/> mm <input checked="" type="checkbox"/> INCH <input type="checkbox"/> mm ONLY THIRD ANGLE PROJECTION	TITLE: .062/(1.57) HOUSING, PLUG AND RECEPTACLE, 36 - CIRCUIT	
		4 PLACES $\pm 0.---$ $\pm .005$	DRAWN BY & DATE JBS 06/10/03	MATERIAL NO. SEE CHART			SHEET NO. 1 of 2	
		3 PLACES ± 0.13 $\pm .01$	CHECKED BY & DATE BW 06/13/03	DRAWING NO. SD-1772-36*-*-*			SIZE C	
		2 PLACES ± 0.25 $\pm .---$	APPROVED BY & DATE BW 06/16/03	THIS DRAWING CONTAINS INFORMATION THAT IS PROPRIETARY TO MOLEX INCORPORATED AND SHOULD NOT BE USED WITHOUT WRITTEN PERMISSION.				
1 PLACE $\pm 0.$ $\pm .$	ANGLAR: $\pm .5^\circ$	CAD FILENAME SD1772-36*.DGN						
DRAFT WHERE APPLICABLE MUST REMAIN WITHIN DIMENSIONS								

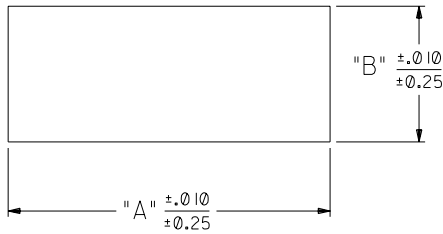
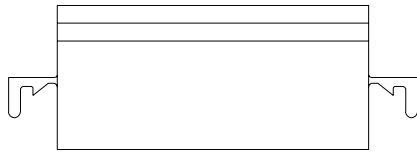
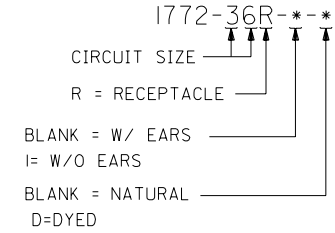
PLUG	
PART NO.	ENG. NO.
03-06-2361	1772-36P
03-06-2362	1772-36P-1
03-06-7361	1772-36P-D
03-06-7362	1772-36P-1-D

RECEPTACLE	
PART NO.	ENG. NO.
03-06-1361	1772-36R
03-06-1362	1772-36R-1
03-06-6361	1772-36R-D
03-06-6362	1772-36R-1-D

PLUG LEGEND:



RECEPTACLE LEGEND:



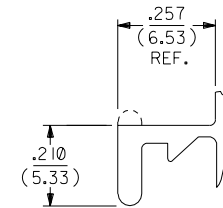
HOUSING	DIM. "A"	DIM. "B"
PLUG	1.795/(45.59)	.825/(20.96)
RECEPTACLE	1.677/(42.60)	.707/(17.96)

RECOMMENDED PANEL OPENING

* MAX. PANEL THICKNESS IS .060.

NOTES:

1. MATERIAL: PA 66, UL 94V-2; COLOR: NATURAL.
2. FINISH: NONE.
3. PRODUCT SPECIFICATION: NONE.
4. PACKAGING SPECIFICATION: NONE.
5. FOR USE WITH .062 SERIES TERMINALS.



MOUNTING EAR DETAIL

(SCALE 4:1)

DIMENSIONS SHOWN (METRIC) INCH		▽ = 0		▼ = 2		REVISE ONLY ON CAD SYSTEM	
UNLESS OTHERWISE SPECIFIED TOLERANCES: ANGULAR ± .10		INCH		METRIC		TITLE	
3 PLACE ± .005		---		---		.062/(1.57) HOUSING, PLUG AND RECEPTACLE, 36 CIRCUIT	
2 PLACE ± .01		± 0.13		---		PART NO. SEE CHART	
1 PLACE ---		± 0.25		---		SD-1772-36-**-*	
DRAFT WHERE APPLICABLE MUST REMAIN WITHIN DIMENSIONS		MOLEX INCORPORATED		SHEET NO. 2		DATE 06/10/03	
DRWG. BY JBS		CHK'D. BY BW		FILE NAME SD 1772-36 DGN		DIV. CP	
APPR'D. BY BW		SCALE 2 : 1		THIS DRAWING CONTAINS INFORMATION THAT IS PROPRIETARY TO MOLEX INC. AND SHOULD NOT BE USED WITHOUT WRITTEN PERMISSION.		SIZE CP C	
LTR.	REVISIONS	LTR.	REVISIONS				